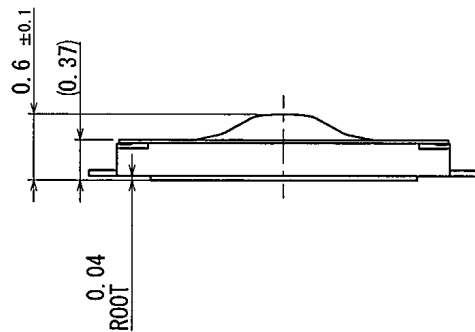
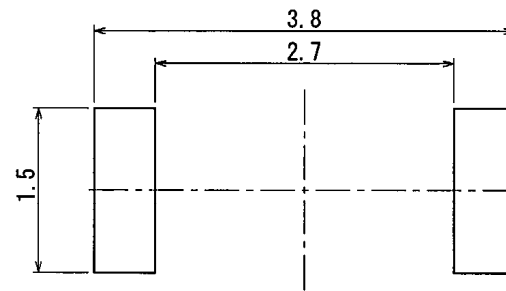
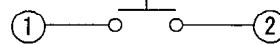


PRINTED CIRCUIT BOARD  
MOUNTING PATTERN DIMENSION

(WHEN VIEWED FROM THE SWITCH MOUNTING FACE)



CIRCUIT DIAGRAM



NOTE 1. TAPING SPECIFICATION TO BE ACCORDANCE WITH TSW-904.

2. \*dimension is without the remainder of the gate.

3. THE THICKNESS OF THE SOLDER STENCIL SHALL BE 0.08mm, AND THE OPENING RATIO OF THE SOLDER STENCIL TO A LAND PATTERN SHALL BE 70%

TOLERANCES UNLESS OTHERWISE	
$L \leq 10$	$\pm 0.3$
$10 < L < 100$	$\pm 0.5$
$100 \leq$	$\pm 0.8$
ANGULAR DIMENSION	$\pm 5^\circ$